

# Chapter 5

## Lesson 3: Sweep

---

### Lecture

What is the Sweep command?

What is necessary to create a sweep?

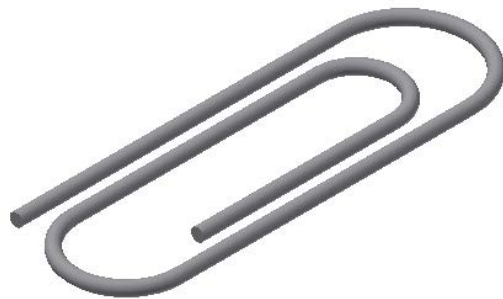
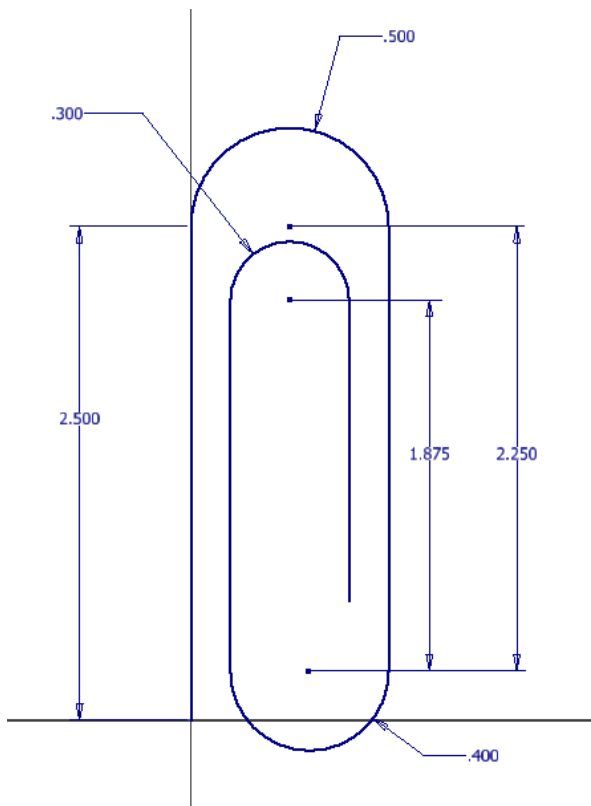
Can the sweep command join and cut?

Is it only possible to sweep circles?

What will happen if the profiles intersect each other?

### Demonstration

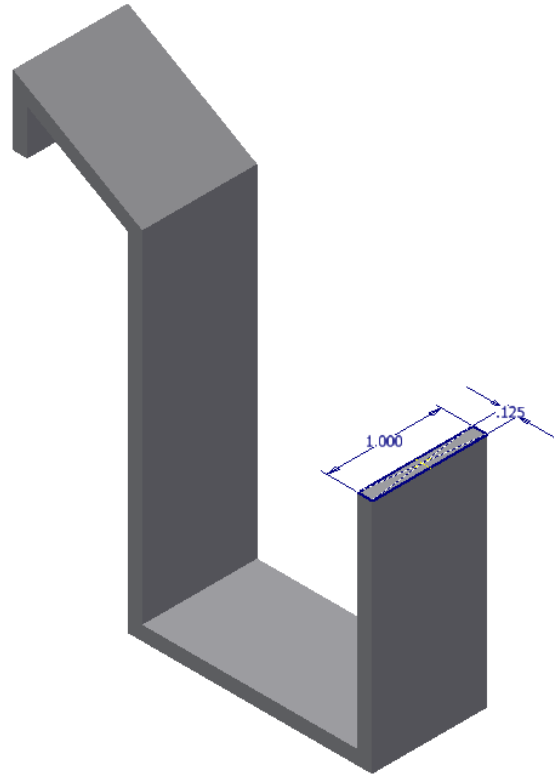
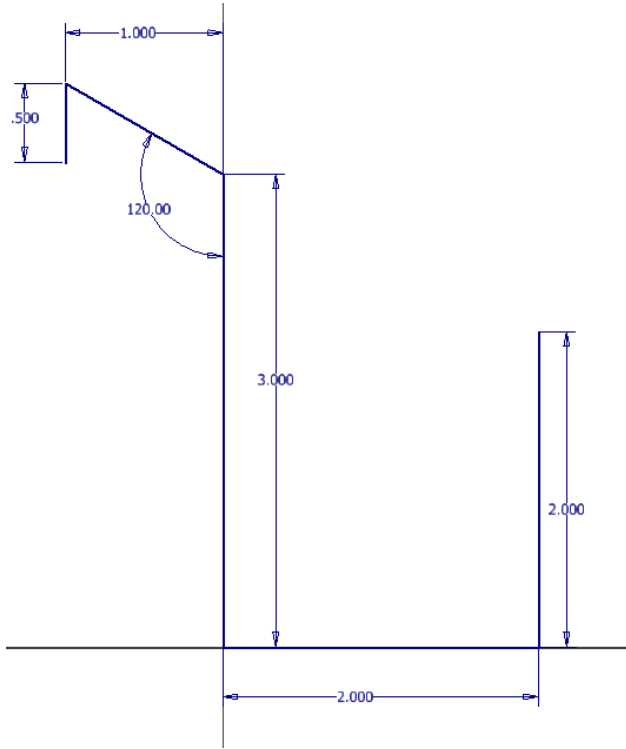
Save this part as Paper Clip into the Lesson 5.3 Sweep folder.



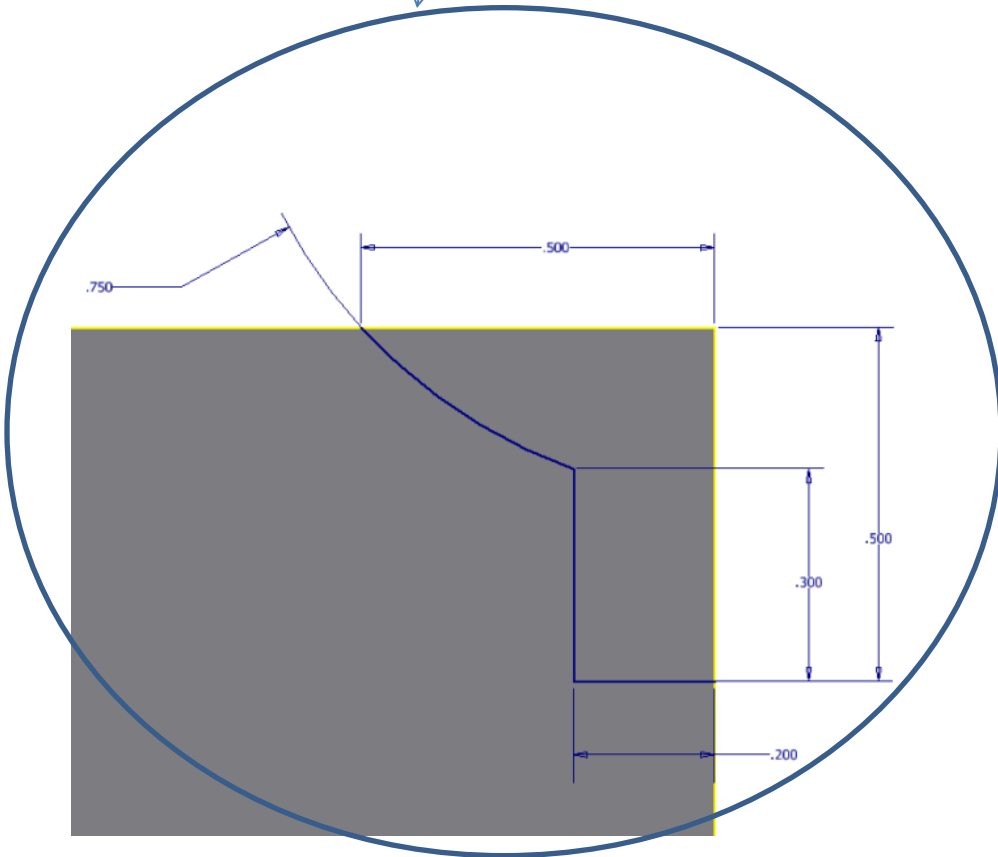
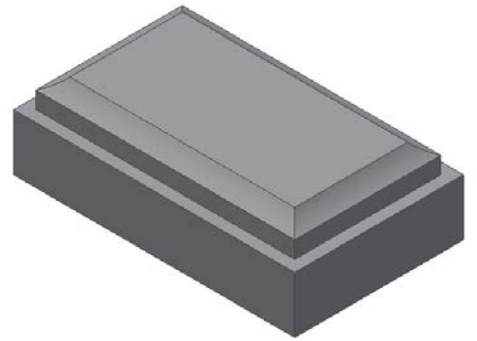
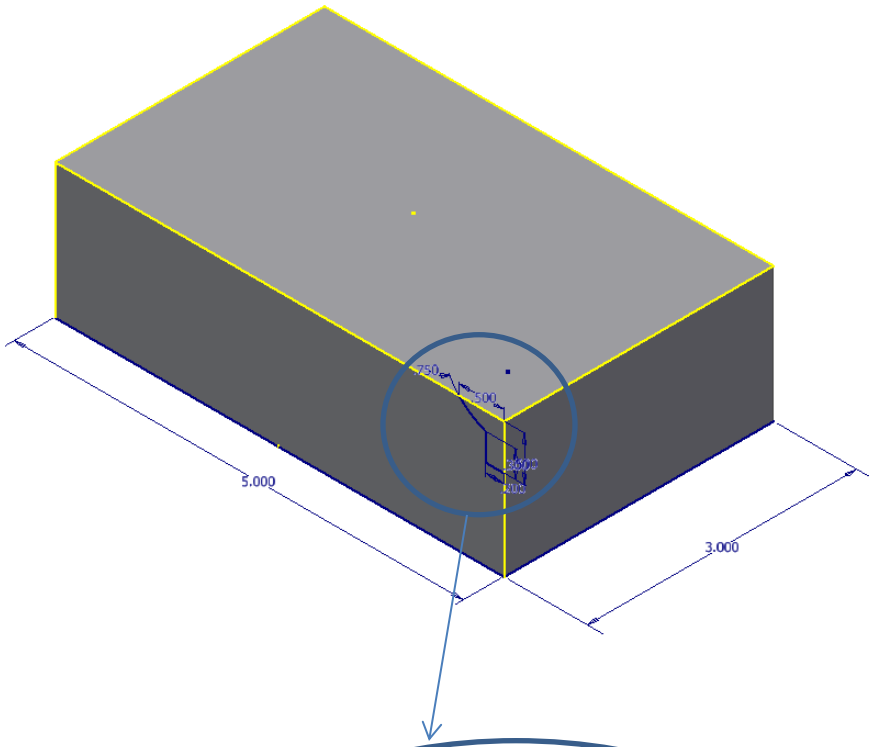
## Activity

Create the following parts and save each one with the name listed in the 5.3 Sweep folder.

### Bracket

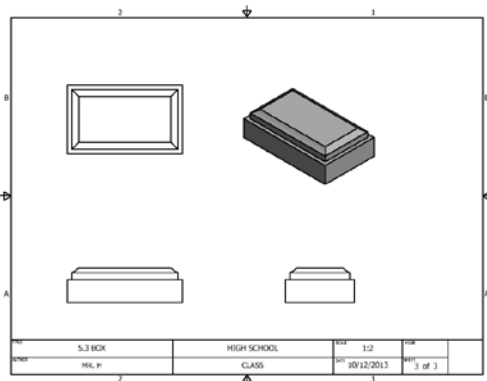
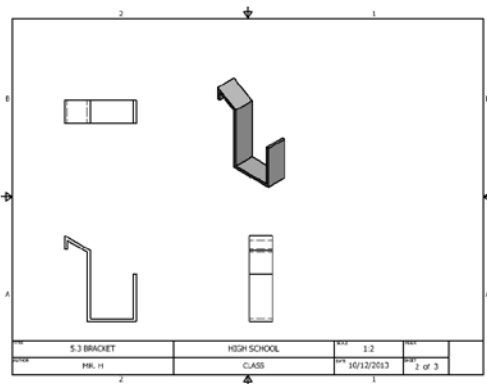
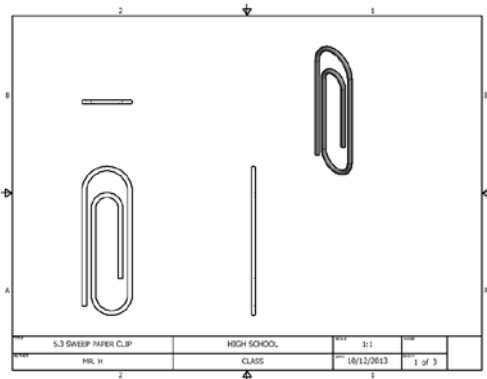


Box



## Sweep Sheet Set

Create a multiview of each on your custom title block as shown on the next page. Ask your teacher if the parts should be dimensioned or if there are any additional requirements. Save the drawing file as Sweep Sheet Set into the Lesson 5.3 Sweep folder.



## Challenge

Create a sketch using work planes that goes in the X, Y and Z direction. Create a sweep that follows that path.